

STANDARD SERVING SYSTEM PRACTICES

SOLID SURFACE TOPS AND TRAY SLIDES

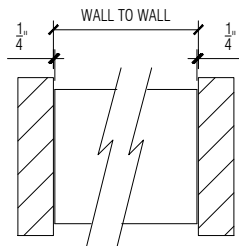
- ALL SOLID SURFACE TOPS AND TRAY SLIDES, WITH FIELD SEAMS, WHEN SPANNING MORE THAN ONE UNIT, WILL SHIP LOOSE.
- SOLID SURFACE TOPS AND TRAY SLIDES SPECIFIC TO SINGLE UNIT WILL SHIP INSTALLED.
- SOLID SURFACE TOPS AND TRAY SLIDES REQUIRE A **CERTIFIED** INSTALLER, SPECIFIC TO THE BRAND, TO SEAM THE UNITS IN THE FIELD DURING PRODUCT INSTALLATION.

STAINLESS STEEL TOPS AND TRAY SLIDES

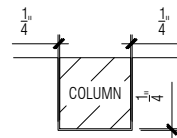
- THE MAXIMUM CONTINUOUS STAINLESS STEEL TOP LENGTH IS 144" [12'-0"], BEFORE REQUIRING A BOLTED OR WELDED FIELD JOINT.
- THE MAXIMUM CONTINUOUS STAINLESS STEEL TRAY SLIDE LENGTH IS 144" [12'-0"], BEFORE REQUIRING A BOLTED OR WELDED FIELD JOINT.
- BOLTED OR WELDED FIELD JOINTS ARE REQUIRED, AT ALL MITERED TRAY SLIDE CORNERS.

ALLOWANCE FOR FIELD CONDITIONS

- FACTORY TO ALLOW 1/4" AT ALL WALLS, COLUMNS, AND PASS THROUGH WINDOWS FOR FIT. (SEE WALL TO WALL AND COLUMN EXAMPLES)



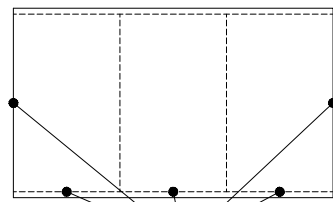
**WALL TO WALL
EXAMPLE**



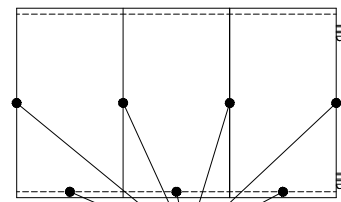
**COLUMN
EXAMPLE**

LAMINATE AND/OR DECOR PANELS

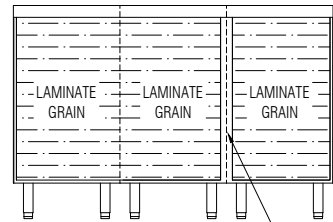
- PLASTIC LAMINATE GRAIN (IF ANY) WILL BE RUN HORIZONTALLY, UNLESS OTHERWISE SPECIFIED.
- COUNTERS WITH CONTINUOUS OR T-TRIMMED TOPS TO HAVE LAMINATE OR DECOR PANELS (AS INDICATED IN GENERAL NOTES), CONTINUOUS ON CUSTOMER SIDE WITH PILASTERS AT REQUIRED SEAMS, AND EXPOSED ENDS, UNLESS OTHERWISE SPECIFIED. (SEE EXAMPLE-1)
- STAND-ALONE CABINETS OR CABINETS ON CASTERS THAT CAN BE SEPARATED TO HAVE LAMINATE OR DECOR PANELS (AS INDICATED IN GENERAL NOTES) ON CUSTOMER SIDE, AS WELL AS BOTH ENDS OF ALL UNIT UNLESS OTHERWISE SPECIFIED. (SEE EXAMPLE-2)
- DEVIATION FROM STANDARD LOCATIONS IN ADDITIONS OR OMISSIONS SHALL BE INDICATED ON CUSTOM DECOR DETAIL SHEET.
- SPECIAL/CUSTOM DECOR (I.E. MULTIPLE COLORS OR SPECIAL MATERIALS) SHALL BE INDICATED ON CUSTOM DECOR DETAIL SHEET.



LAMINATE LOCATED ON THE CUSTOMER SIDE AND ALL EXPOSED ENDS

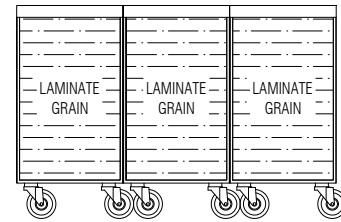


LAMINATE LOCATED ON THE CUSTOMER SIDE AND BOTH ENDS OF ALL UNITS



EXAMPLE-1

PILASTER LOCATED AT REQUIRED LAMINATE SEAMS.



EXAMPLE-2

ELECTRICAL

- ALL 15 AMP (NEMA #5-15R) AND 20 AMP (NEMA #5-20R) RECEPTACLES SHALL BE GFCI (GROUND FAULT CIRCUIT INTERRUPTER) TYPE RECEPTACLES PER DUKE MANUFACTURING STANDARD. UNLESS SPECIFICALLY NOTED OTHERWISE ON THE DRAWING. (SEE SYMBOL LEGEND)

NSF-7 COLD PAN UNITS

- NSF STANDARD #7 COLD PAN UNITS TO HOLD FOOD PANS RECESSED 3" BELOW TOP ON REMOVABLE STAINLESS STEEL BRACKETS AND ADAPTER BARS

SUBMITTAL NOTES

THE FOLLOWING MUST BE VERIFIED PRIOR TO CONSTRUCTION

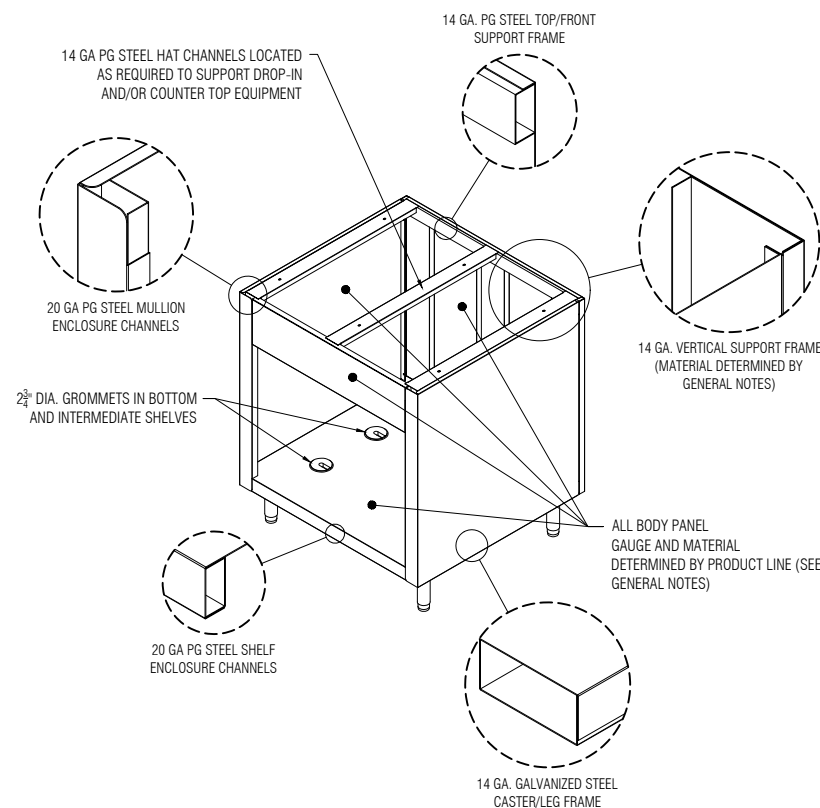
- ANY DECOR COLOR CHOICES INCLUDING LAMINATE, PAINT COLOR, OR CUSTOM DECOR FEATURES, IF APPLICABLE
- ALL ELECTRICAL VOLTAGE AND PHASE OF DUKE HOT FOOD UNITS AND BUYOUT EQUIPMENT IF APPLICABLE
- ALL CRITICAL FIELD DIMENSION IF ANY AS INDICATED IN PLAN VIEW.

BUYOUT EQUIPMENT

- COPY OF BUYOUT EQUIPMENT ORDER MUST BE SENT TO DUKE MANUFACTURING PROJECT MANAGER AT TIME OF BUYOUT ORDER PLACEMENT.
- ALL BUYOUT EQUIPMENT MUST BE RECEIVED BY DUKE MANUFACTURING 3 WEEKS PRIOR TO ESTABLISHED SHIP DATE FROM FACTORY.
- ALL BUYOUT EQUIPMENT PROVIDER AND INSTALLER MUST BE INDICATED IN EQUIPMENT SCHEDULE AT TIME OF DRAWING APPROVAL. (SEE EXAMPLE)

#	NEMA#	Provided By	Installed By
	N/A		

STANDARD CHANNEL BODY CONSTRUCTION



GENERAL NOTES

THIS DRAWING AND THE INFORMATION AND DATE CONTAINED HEREIN ARE THE CONFIDENTIAL AND PROPRIETARY PROPERTY OF DUKE MANUFACTURING CO., AND MAY NOT BE REPRODUCED OR DISCLOSED FOR ANY PURPOSE, WITHOUT THE WRITTEN PERMISSION OF DUKE MANUFACTURING CO.

THURMADUKE SERVING SYSTEMS

TOPS

14 GA. STAINLESS STEEL TOPS.

BODIES & INTERIORS

14 GA. FRAME/SUPPORTS W/ 20 GA. STAINLESS STEEL ENCLOSURE CHANNELS, BODY PANELS AND INTERIOR SHELVES W/ LAMINATE VENEER EXTERIOR WHERE INDICATED.

DECOR PANELS

VERTICAL FRONT PANELS SHALL BE 1/2" EXTERIOR GRADE WOOD COVERED WITH PLASTIC LAMINATE LAMINATE TO BE:

*LAMINATE BRAND:..... WILSONART

*LAMINATE ID NUMBER:..... Y0023

*LAMINATE COLOR NAME:..... KIDS

CASTERS

Ø5" CASTERS WITH GRAY POLYURETHANE TIRES. ALL SWIVEL WITH BRAKES.

KICKPLATES

HEAVY GAUGE STAINLESS STEEL REMOVABLE KICK PLATES LOCATED WHERE INDICATED BY SCHEDULE:

TRAYSLIDES

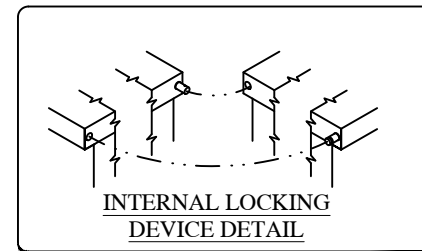
16 GA. STAINLESS STEEL SOLID TRAY SLIDES WITH (2) DIE FORMED RUBBING TRACKS ON 10 GA. STAINLESS STEEL HINGED BRACKETS.

TRAY SLIDES TO HAVE TURN-UP AT REAR.

BREATHGUARDS

Ø1" STAINLESS STEEL TUBING LEGS. CLEAR GLASS SHELVES, PROTECTORS & END ENCLOSURES.

BREATH GUARD POSTS ARE NOT TO BE USED AS PUSH HANDLES. DUKE MANUFACTURING DOES NOT ACCEPT RESPONSIBILITY FOR FOOD SHIELDS COMING LOOSE IN THE FIELD DUE TO MISUSE.



SYMBOL LEGEND

DESCRIPTION	SYMBOL	DESCRIPTION	SYMBOL	DESCRIPTION	SYMBOL
SIMPLEX RECEPTACLE		DUPLEX GFCI RECEPTACLE (NEMA 5-15R & 5-20R ONLY)		ELEC. CORD AND PLUG	
KICKPLATE LOCATION		LAMINATE LOCATION		DECOR PANEL LOCATION	
EQUIPMENT TAG		FIELD JOINT LOCATION		2 3/8" GROMMET LOCATION	
VIEW TAG	VIEW NUMBER PAGE NUMBER	PLAN SCALE	VIEW NAME VIEW SCALE	COMPRESSOR WITH REMOVABLE GRILLE	
VIEW ARROWS			VIEW NUMBER PAGE NUMBER		



Your Solutions Partner
DUKE
MANUFACTURING
COMPANY

2305 North Broadway
St. Louis, MO 63102
Ph (314) 231-1130
Fax (314) 231-5074

REV.	DATE	BY
A	12/11/2017	DTM
B	12/15/2017	DTM
C	1/12/2018	JKW
D	1/12/2018	MDF

REV.	DATE	BY
A	12/11/2017	DTM
B	12/15/2017	DTM
C	1/12/2018	JKW
D	1/12/2018	MDF

DESIGNED FOR:
TIFFANY RIDGE ELEM. - PARKHILLS

DESIGNED BY:
FELLERS FIXTURES

DRAWN BY:
MDF

ESTIMATOR:
D. ANDERSON

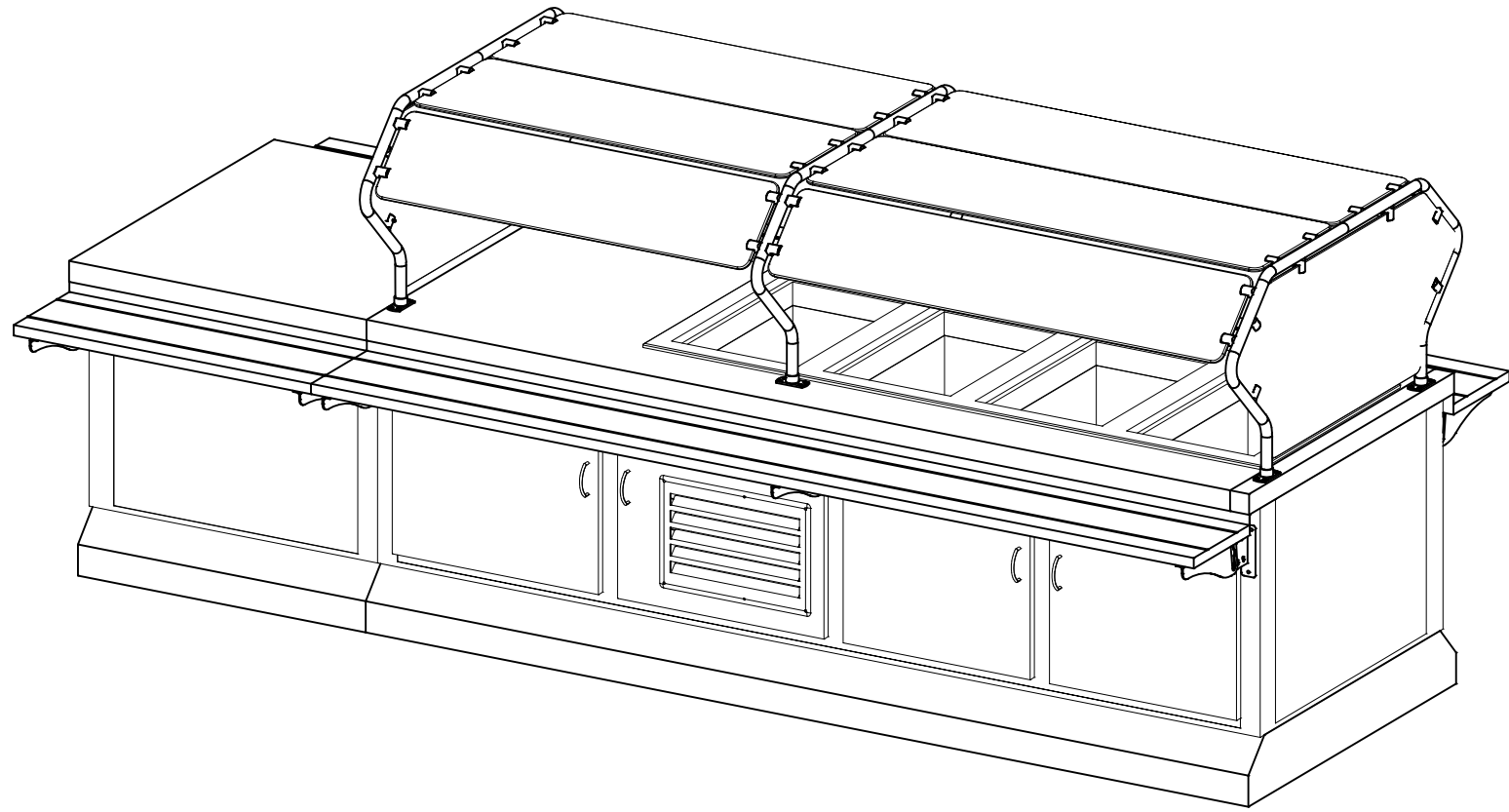
PURCHASE ORDER #:
N/A

SALES ORDER:
N/A

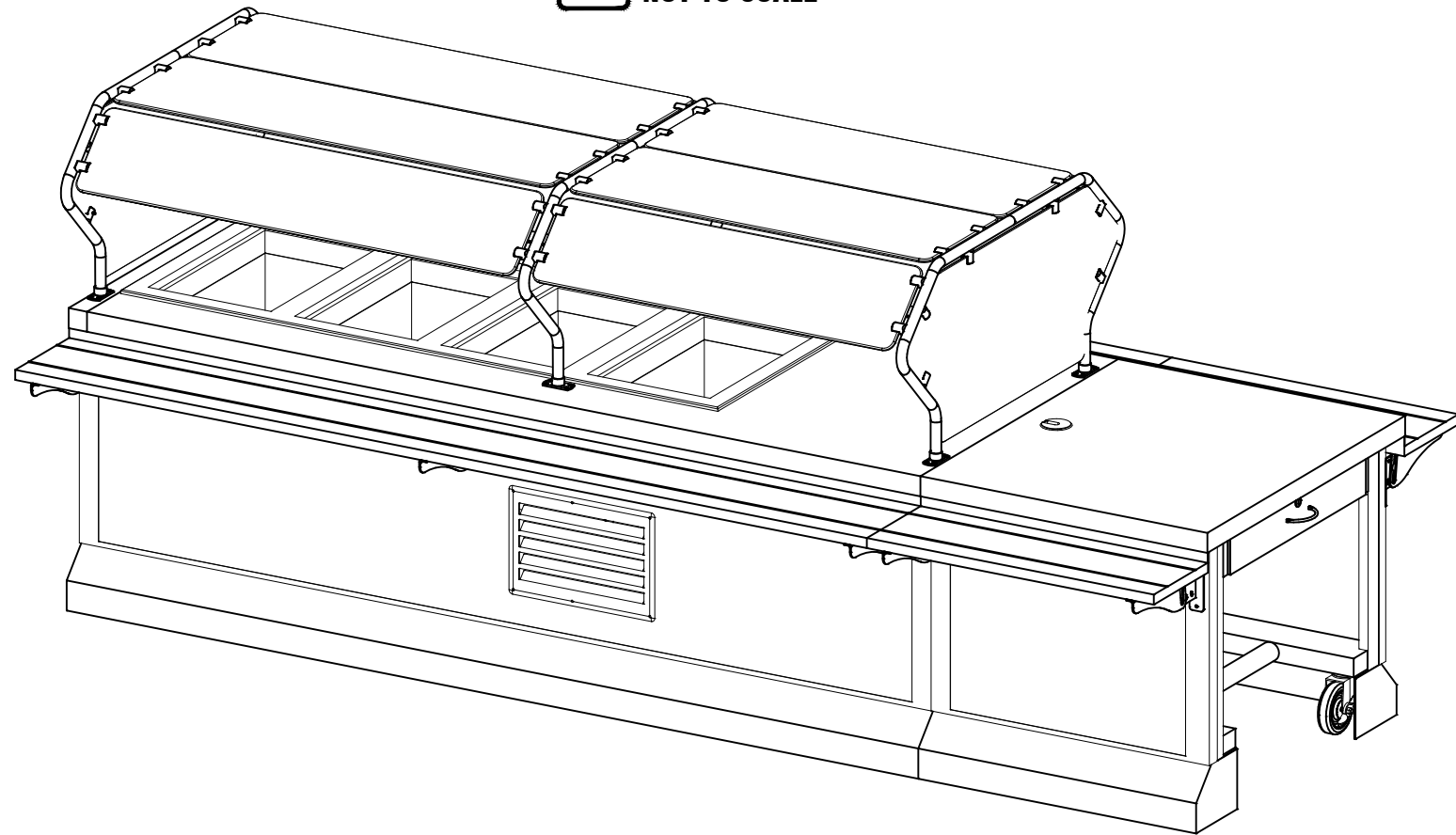
DATE:
11/13/2017

DRAWING NO. :
SD-118119

SHEET:
3 1



1 ISOMETRIC VIEWS
2 NOT TO SCALE



Your Solutions Partner
©2017 Duke Manufacturing Co.
**DUKE
MANUFACTURING
COMPANY**
2305 North Broadway
St. Louis, MO 63102
Ph (314) 231-1130
Fax (314) 231-5074

SUBMITTAL
APPROVED FOR SUBSCRIPTION: _____
DATE: _____
DESIGNED BY: _____
DRAWN BY: _____
ESTIMATOR: _____
PURCHASE ORDER #: _____
SALES ORDER: _____
DATE: _____
DRAWING NO.: _____
SHEET: _____
OF: 3

THIS DRAWING MUST BE SIGNED AND REVISIONS TO BE RELEASED FOR SUBSCRIPTION. ALL SUBMITTALS MUST BE NUMBERED AND DATED TO CORRESPOND TO THE DRAWING. APPROVAL OF THIS DRAWING DOES NOT CONSTITUTE AN ENDORSEMENT OR WARRANTY BY DUKE MANUFACTURING COMPANY. ALL ASPECTS OF DRAWING, INCLUDING FIELD DIMENSIONS, ARE NOTED IN ANY DEVIATIONS.

REV.	DATE	BY
A	12/11/2017	DTM
B	12/15/2017	DTM
C	1/12/2018	JKW
D	1/12/2018	MDF

DESIGNED FOR:
TIFFANY RIDGE ELEM. - PARKHILLS

DESIGNED BY:
FELLERS FIXTURES

DRAWN BY:
MDF

ESTIMATOR:
D. ANDERSON

PURCHASE ORDER #:
N/A

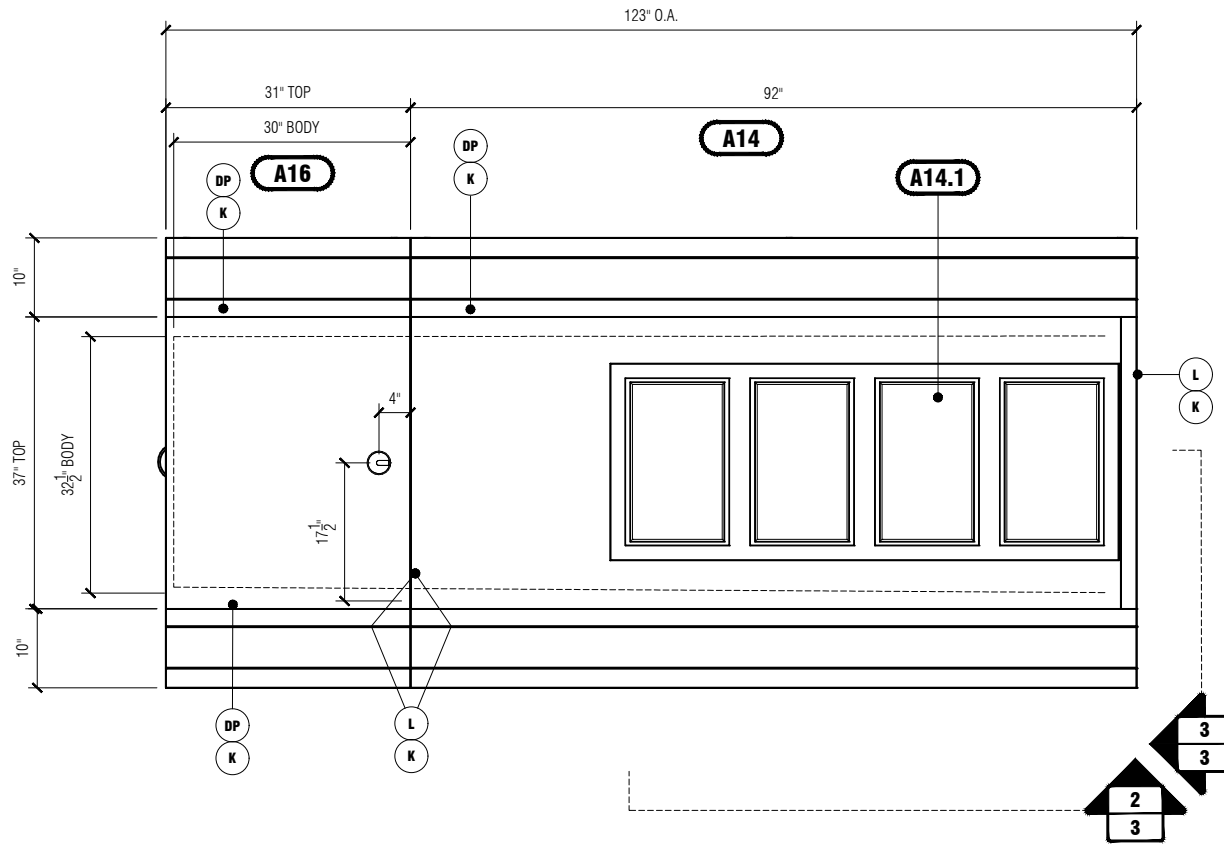
SALES ORDER:
N/A

DATE:
11/13/2017

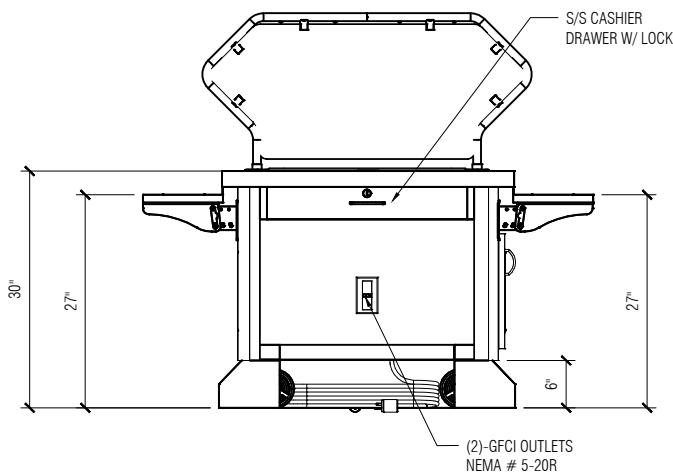
DRAWING NO.:
SD-118119

SHEET:
3 2

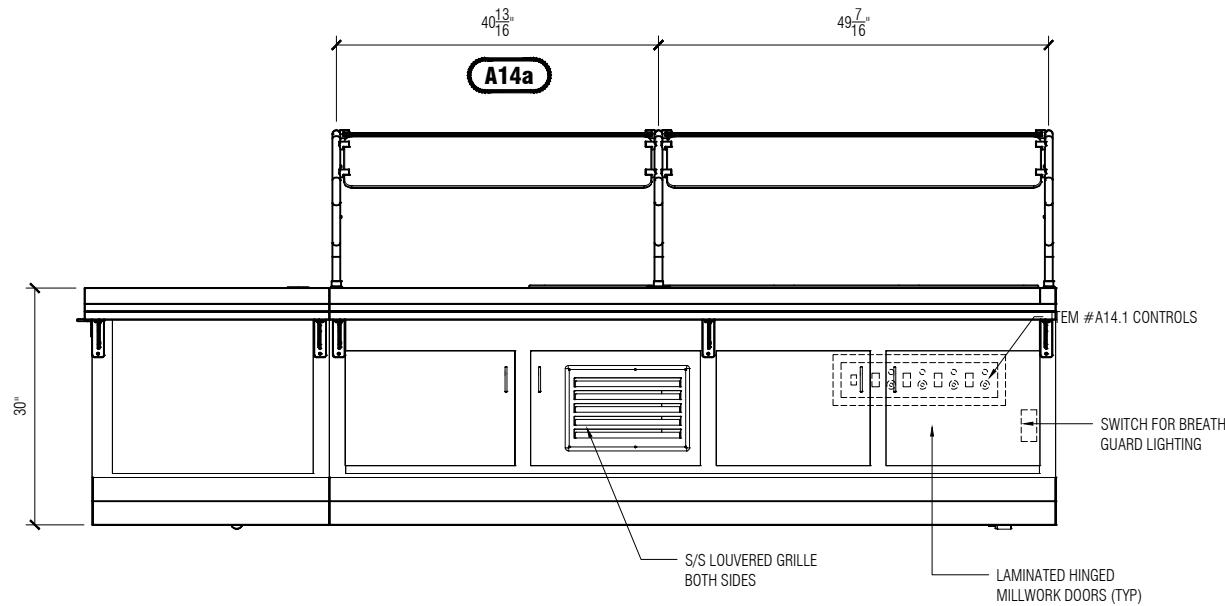
NOTE:
SNEEZE GUARDS NOT
SHOWN IN PLAN VIEW



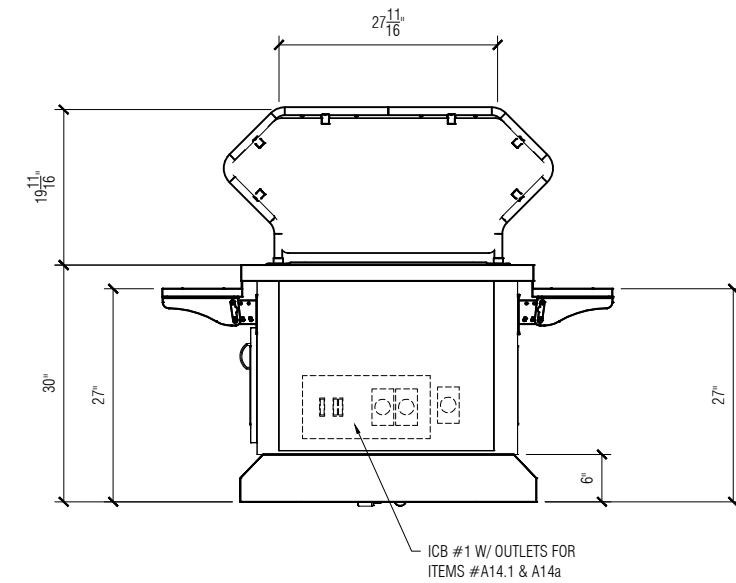
1 PLAN VIEW
3 1/2" = 1'-0"



4 END VIEW
3 1/2" = 1'-0"



2 ELEVATION VIEW
3 1/2" = 1'-0"



3 END VIEW
3 1/2" = 1'-0"

DUKE EQUIPMENT

Item Tag	Quantity	Model Number	Description	Voltage	Phase	Watts	Amps	NEMA#	Cord	Gas Type
A14	1	TST-88SS	SOLID TOP UNIT	-	-	-	-	L14-30P	6ft	-
A14a	1	TS480-88-DS	SELF SERVICE SINGLE SHELF WITH SLOPED GLASS GUARDS WITH GLASS END ENCLOSURES & LED LIGHTING	120	1	30	0.2	-	-	-
A16	1	TCS-30SS	CASHIERS UNIT	120	1	1800	15.0	5-15P	6ft	-

BUY-OUT EQUIPMENT

Item Tag	Quantity	Model Number	Description	Voltage	Phase	Watts	Amps	NEMA#	Provided By	Installed By
A14.1	1	HCD04DI	GA SYSTEMS HOT/COLD CONVERTIBLE DROP-IN	208/220	1	5000	24.0	14-30P	DUKE	DUKE

Duke
Your Solutions Partner
©2017 Duke Manufacturing Co.
DUKE MANUFACTURING COMPANY
2305 North Broadway
St. Louis, MO 63102
Ph (314) 231-1130
Fax (314) 231-5074

SUBMITTAL
APPROVED FOR SUBMITTAL: _____
DATE: _____
BY: _____

THIS DRAWING IS THE PROPERTY OF DUKE MANUFACTURING COMPANY. IT IS TO BE USED ONLY FOR THE PROJECT AND SITE SPECIFICALLY IDENTIFIED HEREON. NO PARTS OF THIS DRAWING ARE TO BE REPRODUCED OR TRANSMITTED IN ANY FORM OR BY ANY MEANS, ELECTRONIC OR MECHANICAL, INCLUDING PHOTOCOPYING, RECORDING, OR BY ANY INFORMATION STORAGE AND RETRIEVAL SYSTEM, WITHOUT THE WRITTEN PERMISSION OF DUKE MANUFACTURING COMPANY. ALL DIMENSIONS AND TOLERANCES ARE AS SHOWN UNLESS OTHERWISE SPECIFIED. ALL DIMENSIONS ARE IN INCHES UNLESS OTHERWISE SPECIFIED.

REV.	DATE	BY
A	12/11/2017	DTM
B	12/15/2017	DTM
C	1/12/2018	JKW
D	1/12/2018	MDF

DESIGNED FOR: **TIFFANY RIDGE ELEM. - PARKHILLS**
DESIGNED BY: **FELLERS FIXTURES**

DRAWN BY: **MDF**
ESTIMATOR: **D. ANDERSON**
PURCHASE ORDER #: **N/A**
SALES ORDER: **N/A**
DATE: **11/13/2017**
DRAWING NO.: **SD-118119**
SHEET: **3** OF **3**